



**CAR BENCH**<sup>®</sup>  
CAR BENCH INTERNATIONAL SPA

*ONLY THE BEST CAN BE NUMBER ONE*

# UNIVERSAL JIG

**THE ORIGINAL SYSTEM**

APPROVED IN  
MORE THAN  
70 COUNTRIES



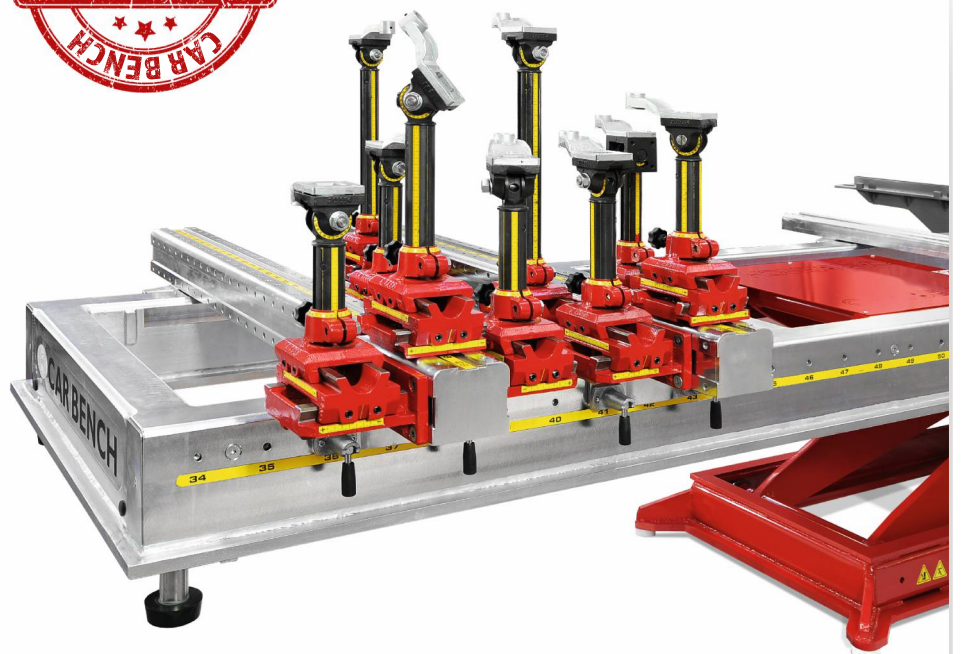
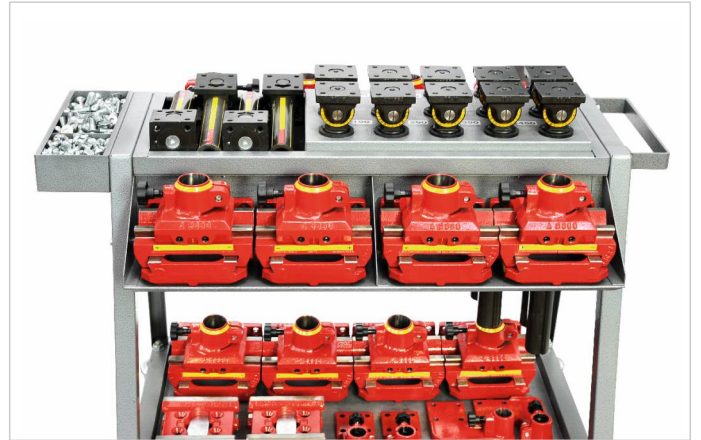
**CONCEIVED  
DESIGNED  
DEVELOPED  
BY CAR BENCH**



UNIVERSAL JIG

## ORIGINAL CAR BENCH UNIVERSAL JIG SYSTEM

The unique "Universal Jig - Evolution D" combined with the new technical data sheet in 3D has allowed to further improve the Car Bench ORIGINAL universal jig system, already recognized in over 70 countries as the most successful approved jig system carrying most prestigious OEM approvals on the world market today.



## TECHNICAL FEATURES



Technical aspects of the **UNIVERSAL JIG - EVOLUTION D**, which make it the most flexible system on the market are based on the following advantages:

- Maximum adaptability on every checking point of the vehicle covering the whole underbody.
- Simultaneous control of every single checking point of the vehicle, both close points and asymmetric points, without the need of any additional parts or extensions, furthermore it controls the MacPherson directly from the underbody of the vehicle.
- It covers the same amount of vehicle checking points as the specific mini jig, both with mechanical parts mounted and mechanical parts removed. Thanks to the same basic equipment (Car Bench Patented) it is possible to work with sliding cross beams with 3 sides on each cross beam and anchoring support blocks having 5 free movements in the air.
- Gives a complete reading in 3 axes (X, Y, Z) while holding each vehicle checking point in tolerance until the work is finished.



### MAXIMUM ADAPTABILITY

### SIMULTANEOUS CONTROL OF EVERY SINGLE CHECKING POINT

### SLIDING CROSSBEAMS WITH 3 SIDES AND ANCHORING SUPPORTS WITH 5 DIRECTIONAL MOVEMENTS

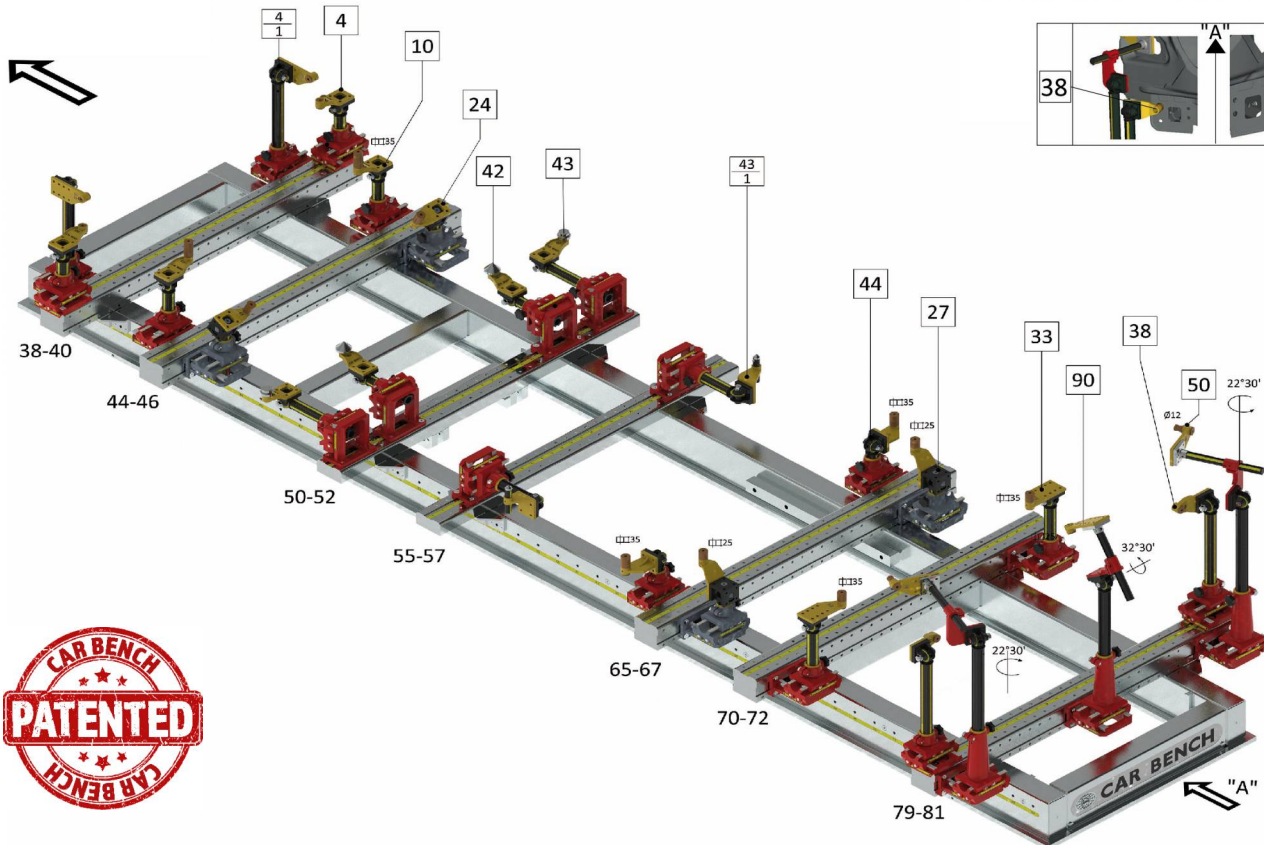
### FULL READING ON 3 AXES

# UNIVERSAL JIG



CAR BENCH INTERNATIONAL S.p.a.

Cod. A4244803/Evo N° 2915 A  
1 - 1



N°				a	b	c	d	e						VITI SCHRAUBEN VIS SCREWS	
4	2-5 24-27	450		+25	0	344			D/1		14			M12X1.5X120	
4/1	6-9 20-23	450		+18	+15	405			1-A/1		14			M12X1.5X80	
10	3-6 23-26	190		-10	-9	80			D/1		14			M12X1.5X80	
24	2-4 25-27	190		-10	-9	80			D/1		14			M12X50	
27	2-5 24-27	190		+10	+9	39			D/1		14			M12X50	
33	0-3 26-29	190		+7	-12	90			D/1		14			M14X180	
38	4-5 24-25	190		-10	-3	73			D/1		16			M14X200	
42	5-8 21-24	390		-7	+17	330			D/1					M10X80	
43	0-3 26-29	190		+29	-24	61			D/1						
43/1	0-3 26-29	390		+20	-24	180		54	B					M14X80	
44	4-7	190		+32	-24	36			E						
50	0-3 26-29	450		0	+16	418	203		1-A/1		12			M10X60	
90	13-16	390		-11	-13	303	165		1-A/2		10			M8X80	

CAR BENCH  
TRAINING ACADEMY

REPAIR  
METHODS

CAR BENCH  
EQUIPMENT TRAINING

CUSTOMIZED  
OEM TRAININGS



**Car Bench International S.p.A.**  
Via Dorsale, 22 - 54100 Massa (MS) - ITALY  
info@carbench.it - ph. +39 0585 251261  
www.carbenchinternational.com